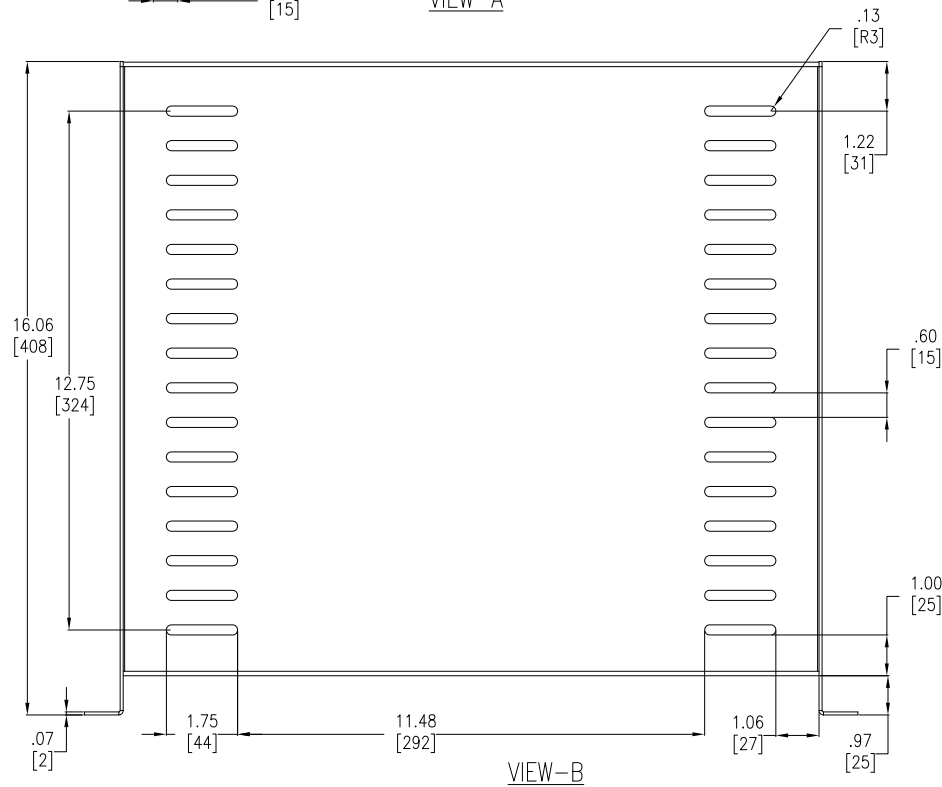
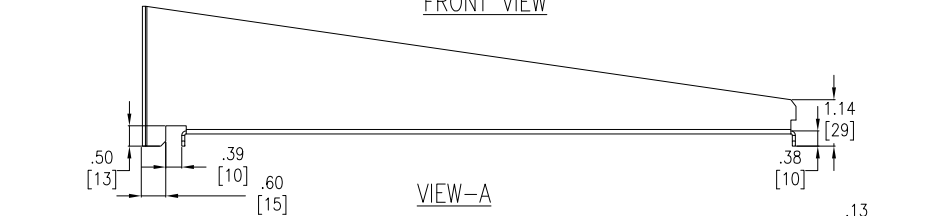
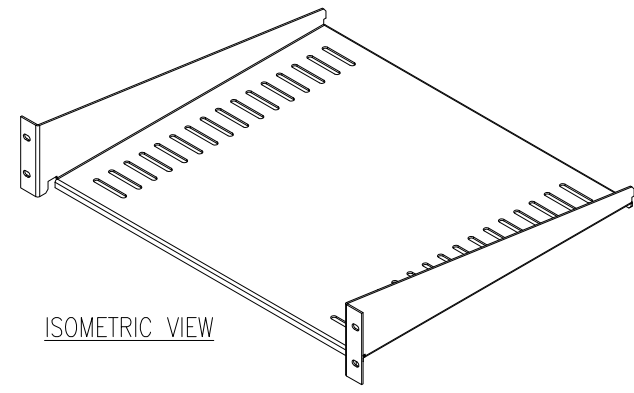
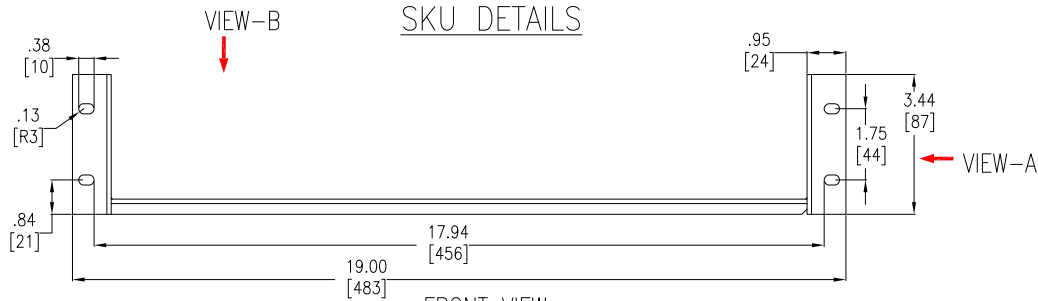
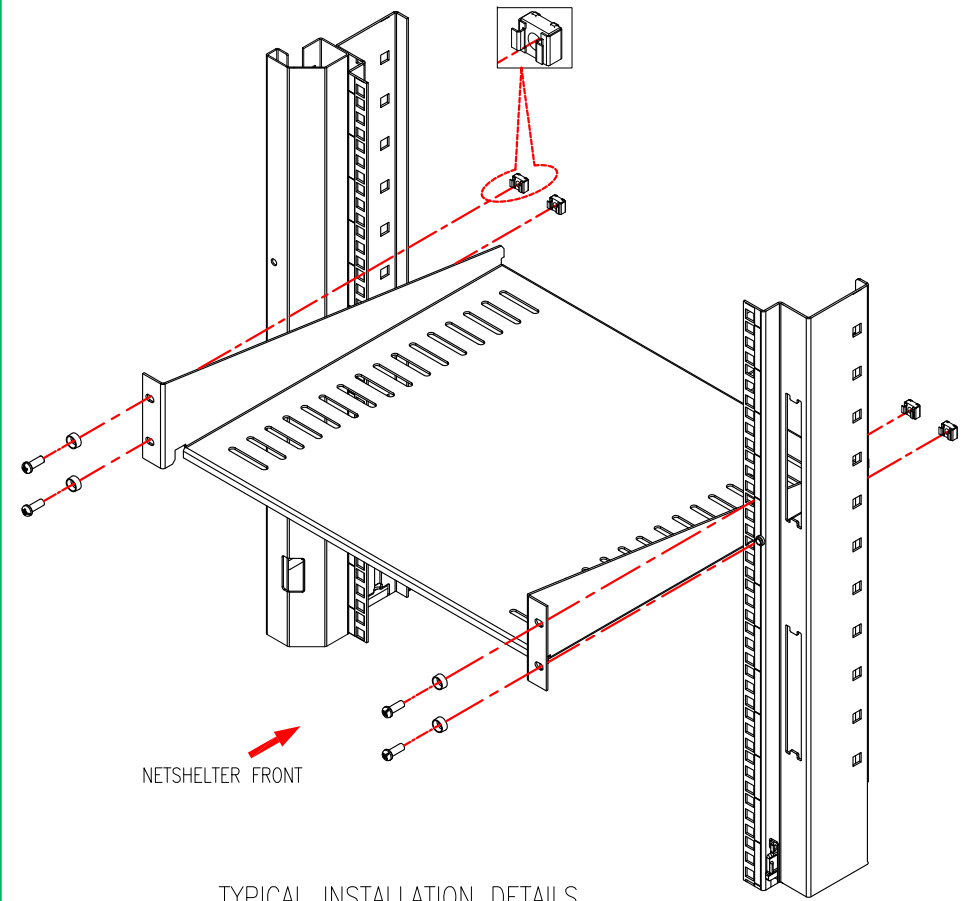


# SKU DETAILS



# APPLICATION DETAILS



## NOTES:

1. INSTALLATION SHALL COMPLY WITH ALL APPLICABLE NATIONAL AND LOCAL CODES.
2. SEE PRODUCT DOCUMENTATION FOR FURTHER INFORMATION.
3. UNLESS OTHERWISE SPECIFIED, ALL DIMENSIONS ARE IN INCHES [MILLIMETERS].
4. WEIGHT OF ONE UNIT IS 5 LBS [2.27 kg].
5. EACH SKU OF AR8105BLK INCLUDES (4) M6 SCREWS, (4) M6 CUP WASHERS & (4) CAGED NUTS.

THIS DRAWING AND SPECIFICATIONS HEREIN ARE THE PROPERTY OF SCHNEIDER ELECTRIC AND SHALL NOT BE COPIED, REPRODUCED OR USED IN WHOLE OR IN PART, AS THE BASIS FOR THE MANUFACTURE OR SALE OF ITEMS WITHOUT WRITTEN PERMISSION FROM SCHNEIDER ELECTRIC. THIS DRAWING IS BASED UPON LATEST AVAILABLE INFORMATION AND IS SUBJECT TO CHANGE WITHOUT NOTICE.



## TITLE:

FIXED SHELF 50 LBS [22.7 kg], BLACK

PROJECT: STD SUBMITTAL DRAWINGS SHEET 1 OF 1

## DWG NO:

AR8105BLK

DRAWN BY: BALAMURUGAN 08-FEB-08

ENGINEER: M UHRHAN/B OLIVER 08-FEB-08

APPROVED BY: SHERIDANE SQUAW LARSONS WASH 08-FEB-08

REV 0

PROJ ANGLE N/A