

H.264 PoE Internet Video Server



Efficiently Migrate Analog CCTV System to IP-based PoE Security Solution

PLANET IVS-H125P one-channel PoE Internet Video Server offers the highly efficient H.264 video compression, which greatly reduces bandwidth and storage requirements without compromising image quality. It provides an easy and high quality solution to integrate analog CCTV cameras into the IP-based video surveillance system. The IVS-H125P is the ideal choice for casinos, airports, traffic surveillance and prisons, anywhere an analog surveillance system is already installed and full frame rate is needed.



Full Frame Rate in All Resolutions

The IVS-H125P supports H.264, MPEG-4, and M-JPEG compression formats to deliver excellent picture quality in 4CIF (D1) resolutions, at 30/25 (NTSC/PAL) frames per second (fps). It also can deliver multiple, individually configurable video streams simultaneously at full frame rate in all resolutions; that means, several video streams can be configured with different compression formats, resolutions and frame rates for different needs.



Video / Audio

- H.264 / MPEG-4 and M-JPEG video compression simultaneously
- Simultaneous multi-stream support
- Up to 30/25 (NTSC/PAL) fps for all profiles
- 3DNR (3D Noise Reduction) to improve picture quality at low Lux
- 2-Way audio support with enhanced audio quality

Network and Configuration

- Auto MDI/MDI-X supported
- Compliant with IEEE 802.3af PoE interface for flexible deployment
- Supports IPv6 protocol in addition to the standard IP protocol version 4 (IPv4)
- RTSP / UPnP / 3GPP / HTTPS protocols selectable

Easy Installation & Management

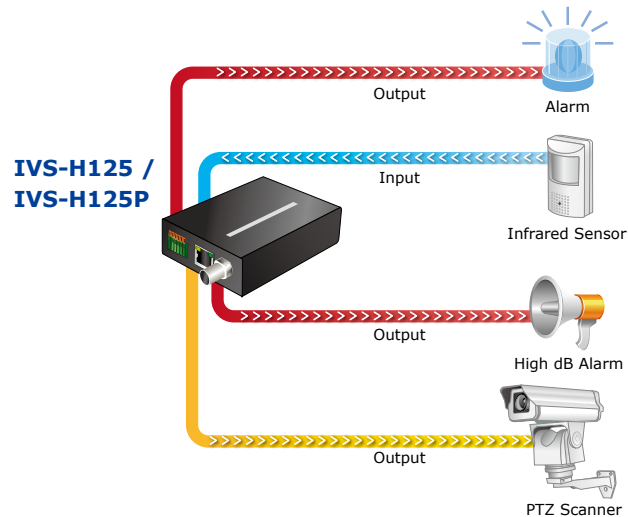
- ONVIF compliant
- Built-in Samba client for NAS
- 3GPP for 3G mobile remote applications
- RS-485 interface for P/T scanner control
- Built-in micro SD/SDHC card slot for on-board storage
- Digital Input / Output for integration with sensors and alarms
- Cam Viewer 3 central management software supported

Advanced Event Management

The IVS-H125P supports a number of advanced features that increase monitoring flexibility and capabilities, including AV out to perform the Two-Way audio function, micro SD/SDHC card slot for local storage, RS-485 for connection to an optional pan/tilt enclosure and input/output port for connecting external sensor devices such as door sensors and light relays to enable real time alarm notification and event management.

Digital Input /Output

For External Sensor in and Alarm out



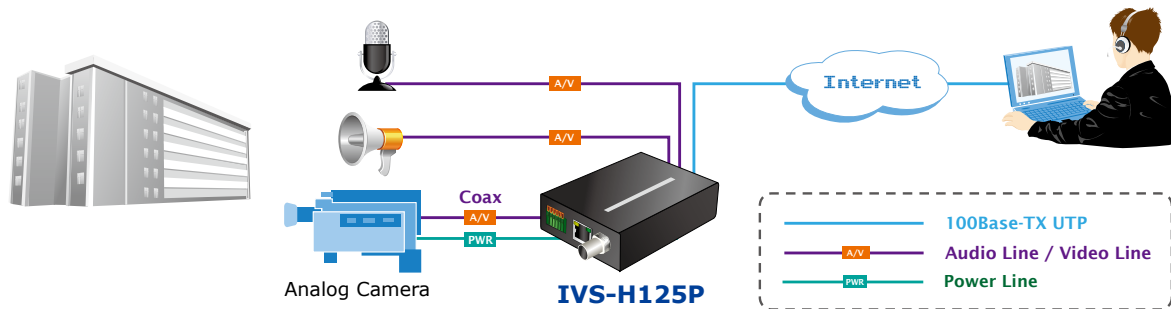
Flexible Deployment and Power Functionality

The IVS-H125P applies IEEE 802.3af Power over Ethernet (PoE) that increases the deployment flexibility, eliminates the need for power cables and reduces installation costs. The IVS-H125P can be powered through standard Ethernet RJ-45 cable from PoE sourcing equipment; and the IVS-H125P then can provide DC 12V to the analog cameras via male to male DC power cable connecting to its power jack. The IVS-H125P is ONVIF compliant and therefore interoperable with other brands' camera in the market. Includes 64-CH central management software, the IVS-H125P is indisputably the top choice for reliable and high performance surveillance.

Application

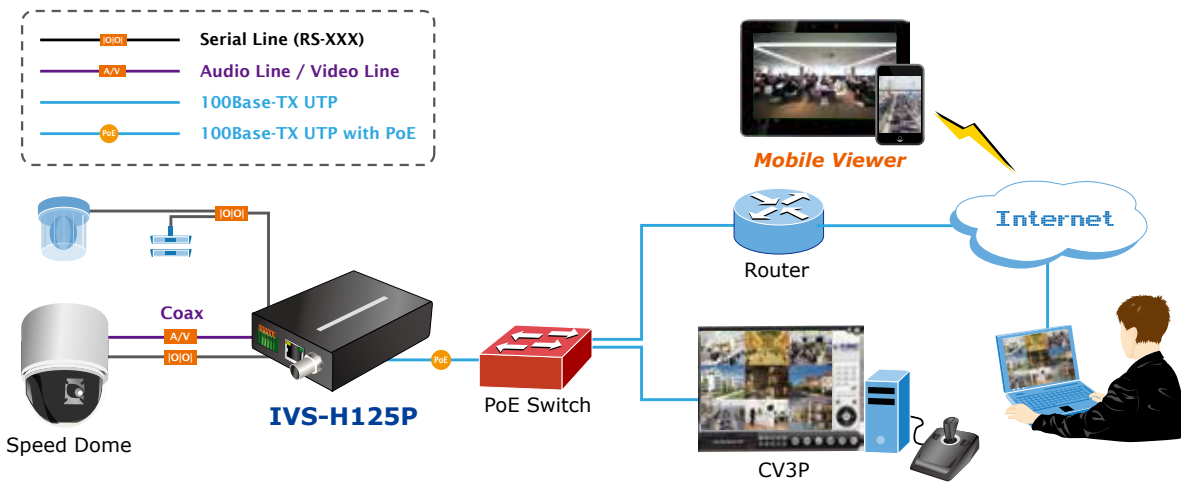
Turn Traditional Surveillance into IP Network Surveillance

The IVS-H125P enables you to monitor your house, office or production line in the factory via the existing traditional analog cameras through Internet. The administrators can easily place the IVS-H125P Internet Video Server wherever a network connection is available and efficiently turn the analog camera monitoring system into IP-based surveillance.



Compatible with Cam Viewer 3 Lite/Pro for Advanced Management

The supervisor can manage the IVS-H125P through Cam Viewer 3 Lite/Pro central management software for advanced surveillance features such as monitoring and recording images / videos from multiple cameras simultaneously by a single PC, Laptop or any intelligent mobile device.



Specification

Product	H.264 PoE Internet Video Server
Model	IVS-H125P
Image	
Video Compression	H.264 / MPEG-4 / M-JPEG
Video Resolution	4CIF (D1), CIF, QCIF
Frame Rate	30/25 (NTSC/PAL) fps in all resolutions
Image Setting	AE, AWB 3D Noise reduction Color, brightness, sharpness, contrast Mirror / Flip 8 Privacy Masks Text, time and date overlay
Streaming	Simultaneously multi-profile streaming Streaming over UDP, TCP, or HTTP / HTTPS M-JPEG streaming over HTTP (server push) Supports 3GPP mobile surveillance (MPEG4) Controllable frame rate and bandwidth Constant and variable bit rate (MPEG4 / H.264) ROI
Audio	
Audio Streaming	Two-Way Audio
Audio Compression	RTSP: G.711 64kbps, G.726 32kbps 3GPP: AMR
Microphone	External microphone input
Audio Output	Adjustable audio output gain
Network and Configuration	
Standard	IEEE 802.3 10Base-T IEEE 802.3u 100Base-TX IEEE 802.3af PoE
Protocol	IPv4, IPv6, TCP/IP, UDP, HTTP, HTTPS, SMTP, FTP, NTP, DNS, DDNS, DHCP, ARP, Bonjour, UPnP, RTSP, RTP, RTCP, IGMP, PPPoE, 3GPP, ICMP, Samba
Security	Password protection, IP address filtering, HTTPS encrypted data transmission, user access log
Users	20 clients on-line monitoring at the same time
System Integration	
Application Programming Interface	Open API for software integration ONVIF Compliant
Alarm Triggers	Intelligent video motion detection, audio detection and external input
Alarm Events	File upload via FTP, Samba to NAS, SD card or email Notification via email, HTTP, and TCP External output activation Audio alerting output Pre- and post-alarm buffering
Environment Specifications	
Power Requirement	48VDC, 0.3A over IEEE802.3af Class 3
Power Consumption	4W (Max.)
Operating Temperature	0 ~ 40 Degree C
Operating Humidity	20 ~ 80% (non-condensing)
Weight (includes LENS)	215g
Dimension (W x D x H)	94 x 70 x 26 mm
Emission	CE, FCC
Connectors	10/100Mbps Ethernet, RJ-45 BNC connector, 75 ohm impedance DC power jack , 12VDC, 0.4A out (for analog camera only) Terminal block for 1 alarm input and 1 output RS-485 interface for pan/tilt scanners control External MIC input Composite video / audio output Micro SD/SDHC card (Max 32GB, Class 6) Factory default reset

Ordering Information

IVS-H125P	H.264 PoE Internet Video Server
-----------	---------------------------------

Related Products

IVS-H125	H.264 Internet Video Server
CAM-IR138-NT/PA	15meter IR Camera
CAM-IR338-NT/PA	30meter IR Camera
CAM-IR560V-NT/PA	50meter Infrared Vari-Focal Camera
CAM-DM33-NT/PA	Mini Dome Camera
CAM-IVP55-NT/PA	15meter Infrared Vandal-Proof Camera
CAM-IVP55V-NT/PA	25meter Infrared Vari-Focal Vandal-Proof Camera
NVR-810	8-CH Network Video Recorder
NVR-1610	16-CH Network Video Recorder
NVR-3210	32-Ch Network Video Recorder
NVR-3250	32-Ch Rack Mount Network Video Recorder
FSD-804PS	8-Port 10/100Mbps with 4-Port PoE Web Smart Ethernet Switch
FNSW-1608PS	16-Port 10/100Mbps with 8-Port PoE Web Smart Ethernet Switch
FGSW-2620PVM	24-Port 10/100Mbps + 2- Gigabit TP/SFP Managed PoE Switch