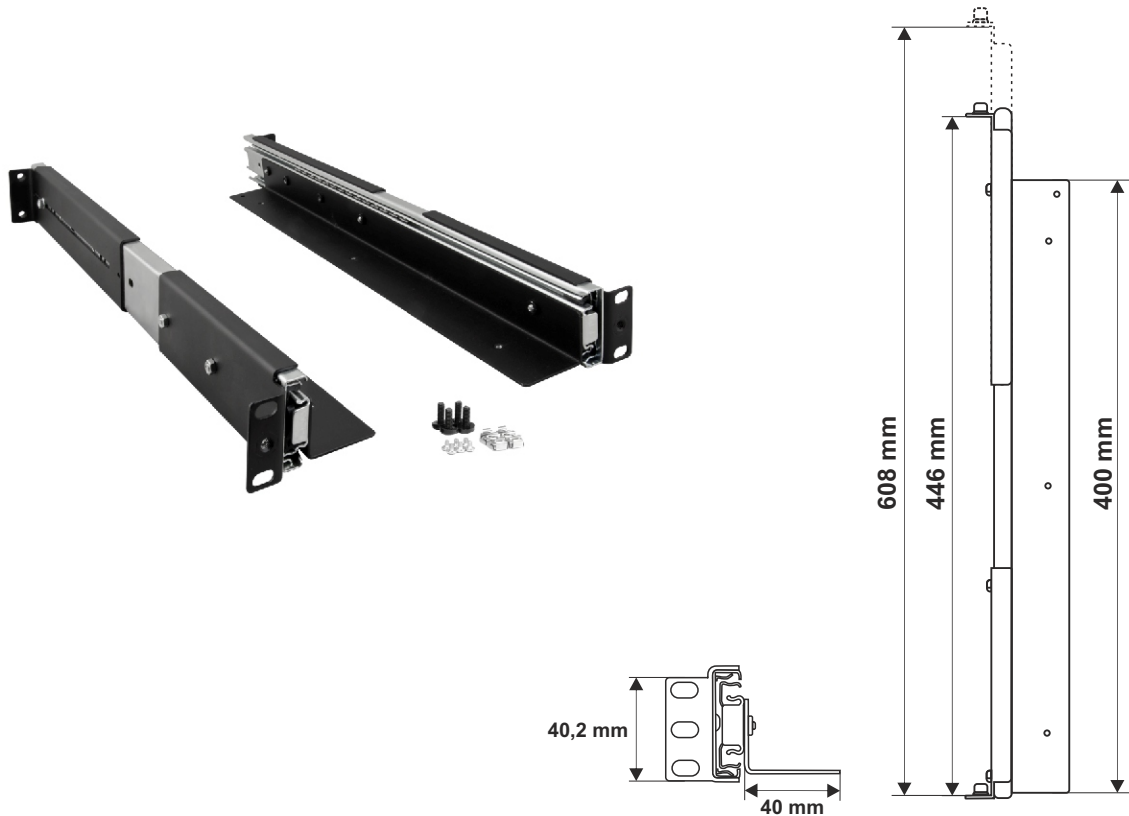


CODE: **ARAS600** v.1.2/V
 NAME: **ARAD rails dedicated for RACK19" cabinets - 600mm depth**

EN



DESTINATION

ARAS600 rail is intended for mounting RACK enclosures, type: ARAD2 / ARAD3 / ARAD4 in a 600mm deep RACK 19" cabinet.

TECHNICAL DATA

Mounting dimensions:	H=1U, D=415+608 [mm, +/-2]
Net/gross weight:	2,49 / 2,58 [kg]
Material:	- sheet metal DC01, 1mm thick, color: RAL9005 - sliding rails – fully extendable
Static load:	30kg
Notes:	- four-point butt mounting to RACK profiles + supported on front and rear RACK profiles - 4 M6 screws + cage nuts included - 6 M4 screws included – to bolt the RACK enclosure
Destination:	inside
Warranty:	2 years from production date