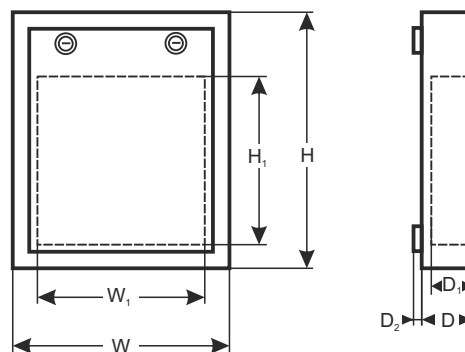


CODE: **AWO530W** v.1.6/IX  
NAME: **Enclosure DVR/MEDIUM/VERTICAL WHITE**

EN



## Installation example:



## DESTINATION

Enclosure construction is compliant with requirements of General Data Protection Regulation (GDPR), as personal data must be protected and stored securely. Enclosure protects recorder against unauthorized access or theft (two keys included). Made of 1,2 mm steel plate. Set includes two keys (different code) for each lock and a tamper switch indicating enclosure opening or unwanted removal of enclosure from wall.

Due to vertical installation and low depth, it is ideal for places where deeper enclosures or cabinets type RACK 19" cannot be installed. After opening enclosure, front cover is held in a horizontal position, providing easy access to buttons on front panel of DVR.

Enclosure has a special holder with retaining straps that allows for installation of recorders of following dimensions: width from 470 mm, height: from 95 mm, depth: from 485 mm.

In addition, fan with a temperature sensor, product code ARAW45, can be mounted to enclosure.

## TECHNICAL DATA:

|                                     |   |
|-------------------------------------|---|
| External dimensions of enclosure:   | W=532, H=651, D + D <sub>2</sub> =121+14 [mm, +/-2]   |
| Dimensions of recorder compartment: | W <sub>1</sub> =470, H <sub>1</sub> =485, D <sub>1</sub> =95 [mm, +/-2]   |
| Net/gross weight:                   | 12,360 / 13,272 [kg]  |
| Operating conditions:               | Temperature: -10°C + +40°C relative humidity 20%...90%, without condensation  |
| Material:                           | sheet metal, thickness: 1,2mm, anticorrosion protection, color RAL 9003 (white)   |
| Destination:                        | inside  |
| Tamper switch protection:           | 1 x microswitch: enclosure opening 0,5 A; 50 V DC max. NC – normally closed contacts<br>1 x microswitch: detachment form wall, 0,5A; 50 V DC max. NC – normally closed contacts |
| Closing:                            | lock MR008 (different code) x 2 pcs<br>Distance from wall (mounting surface) – 14 mm.   |
| Notes:                              | Set includes two keys (different code) for each lock.<br>Possibility of mounting two ARAW45 fans.   |
| Warranty:                           | 2 years from production date  |