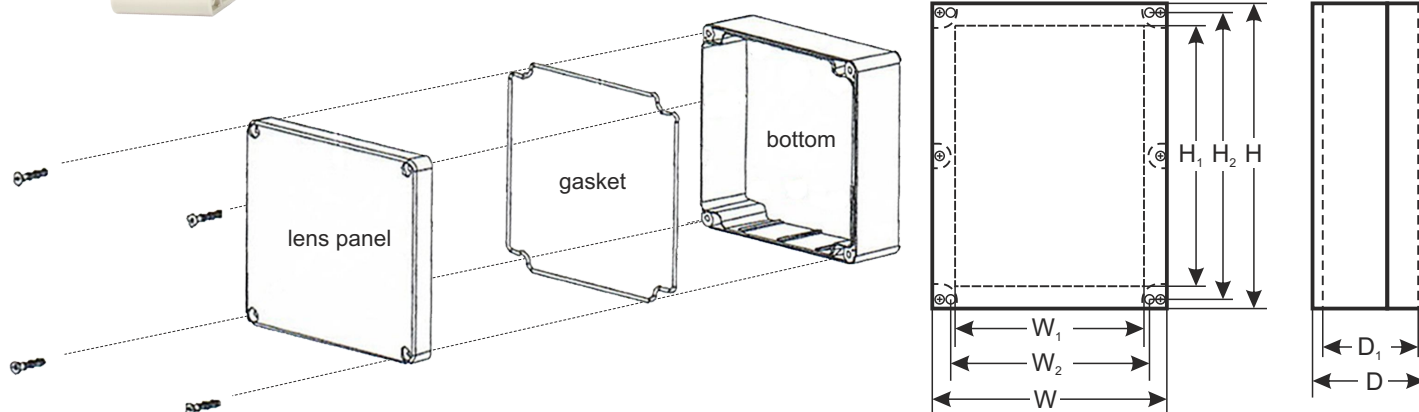


CODE: **AWP161609** v.1.0/II
 NAME: **Enclosure ABS 160x160x90/E IP65**



PRODUCT DESCRIPTION:

Enclosure **AWP161609** is intended for installation of security access control and CCTV systems, which require IP65 protection level. Protection level IP65 („6” – anti-dust protection, „5” – anti-water stream protection).

SPECIFICATIONS:

External dimensions of the enclosure: W=160, H=160, D=90 [±2mm]

Internal dimensions of the enclosure: W₁=152, H₁=122, D₁=80 [±2mm]

Mounting dimensions: W₂=126, H₂=145 [±2mm]

Weight net/gross: 0.45kg / 0.60kg [+/-0.1kg]

Operating environment: class II, -20°C+ 70°C

Material description: ABS, IP65, color: beige

Destination: outdoor/indoor

Closing: screwed x 4

Declaration, warranty: CE, 2 year from the production date