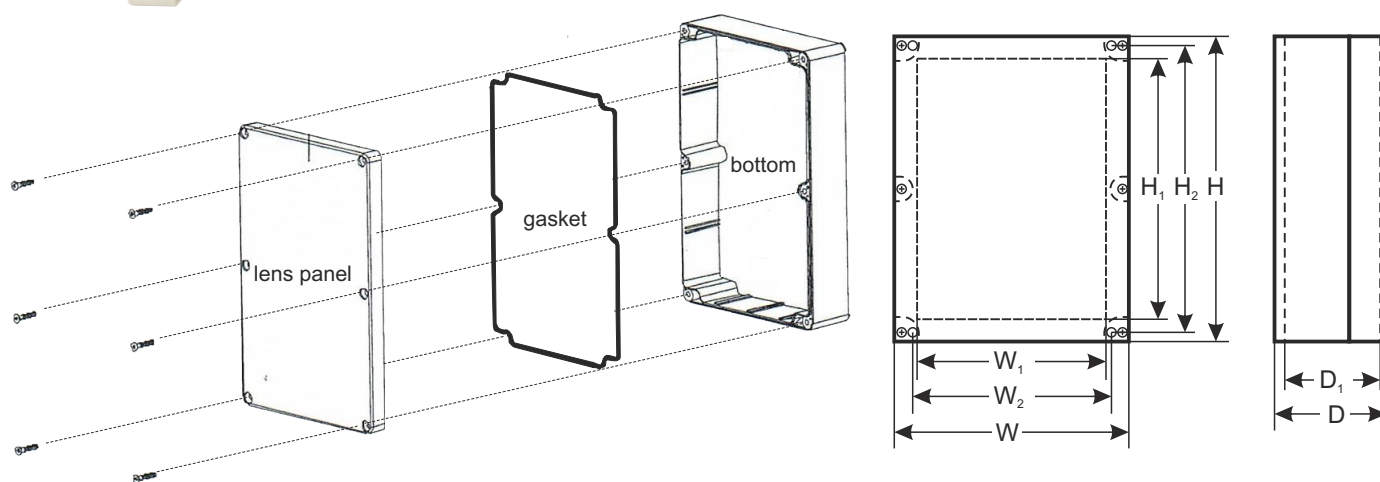


CODE: **AWP261809** v.1.0/II
 NAME: **Enclosure ABS 265x185x95/E IP65**



PRODUCT DESCRIPTION:

Enclosure **AWP261809** is intended for installation of security access control and CCTV systems, which require IP65 protection level. Protection level IP65 („6” – anti-dust protection, „5” – anti-water stream protection)

SPECIFICATIONS:

External dimensions of the enclosure:	W=185, H=265, D=95 [±2mm]
Internal dimensions of the enclosure:	W ₁ =158, H ₁ =237, D ₁ =85 [±2mm]
Mounting dimensions:	W ₂ =152, H ₂ =252 [±2mm]
Weight net/gross:	0,70kg / 0,85kg [+/-0,1kg]
Operating environment:	class II, -20°C+ 70°C
Material description:	ABS, IP65, color: beige
Destination:	outdoor/indoor
Closing:	screwed x 6
Declaration, warranty:	CE, 2 year from the production date