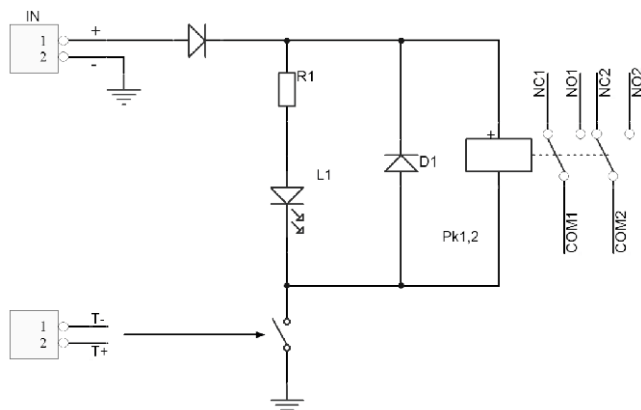
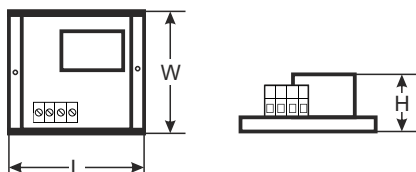
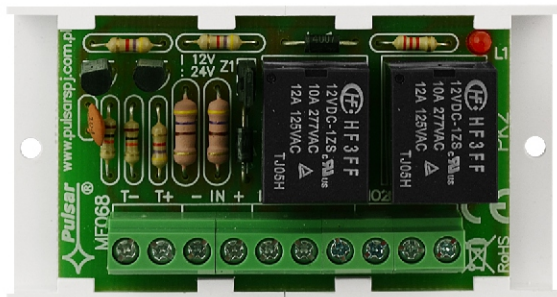


CODE: **AWZ508** v1.0/V
NAME: **PK2 Relay module**

EN



DESCRIPTION

The PK2 (AWZ508) relay module is to be used in low-voltage installations. It is intended for controlling and status indication in e.g. alarm or access control systems. It may be used to control devices of high power consumption via OC outputs of alarm systems. Moreover, it ensures galvanic isolation of signals, power sources relating to the outputs of the module. It is equipped with two separate T+, T- inputs used to trip relays with high or low condition.

SPECIFICATIONS

Voltage of the relay's coil	12 V (10 V DC ÷ 15 V DC) 24 V (21 V DC ÷ 28 V DC) configuration with jumper Z1
Power consumption	75 mA max.
Number of relays	2
Voltage of the relay's contacts	30 V DC / 48 V AC
Tripping voltage	T+ 5 V ÷ Unom. T- 0V ÷ 7V
Current of the relay's contacts	2 A max.
Operating temperature	-10°C ÷ +50°C
Dimensions	L=80, W=43, H=22 [+/- 2mm]
Net/gross weight	0,05 / 0,07 [kg]
Installation	installation tape or installation bolt x 2
Declarations, warranty	CE, 2 years from production date
Notes	leads on connections: Ø 0,41÷1,63 (AWG 26-14)