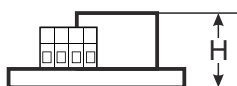
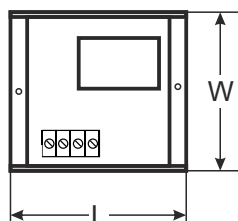
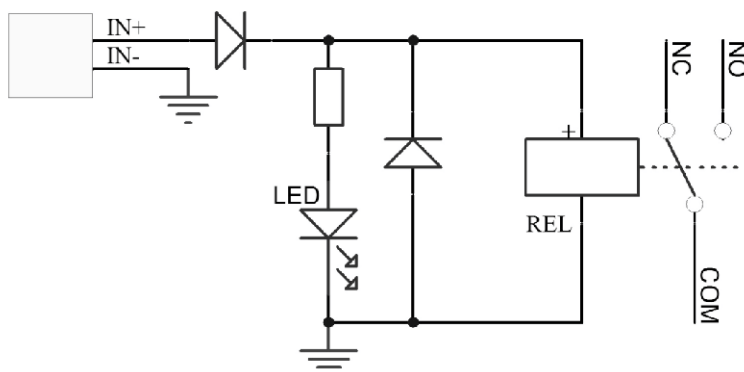


CODE: **AWZ612** v1.0/III  
NAME: **MP1E Relay module**

EN



## DESCRIPTION

The MP1E (AWZ612) relay module is to be used in low-voltage installations. It is intended for controlling and status indication in e.g. alarm or access control systems. It may be used to control devices of high power consumption via OC outputs of alarm systems. Moreover, it ensures galvanic isolation of signals, power sources relating to the outputs of the module.

## SPECIFICATIONS

<b>Voltage of the relay's coil</b>	12 V (10 V DC ÷ 14 V DC)
<b>Power consumption</b>	25 mA max.
<b>Number of relays</b>	1
<b>Voltage of the relay's contacts</b>	30 V DC / 48 V AC
<b>Current of the relay's contacts</b>	1 A max.
<b>Operating temperature</b>	-10°C ÷ +50°C
<b>Dimensions</b>	L=40, W=43, H=20 [mm, +/-2]
<b>Net/gross weight</b>	0,02 / 0,04 [kg]
<b>Installation</b>	installation tape or installation bolt x 2
<b>Declarations, warranty</b>	CE, 2 years from production date
<b>Notes</b>	leads on connections: Ø 0,41 ÷ 1,63 (AWG 26-14), 0,2 ÷ 1 mm <sup>2</sup>