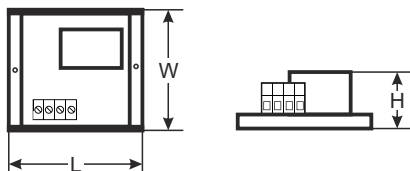
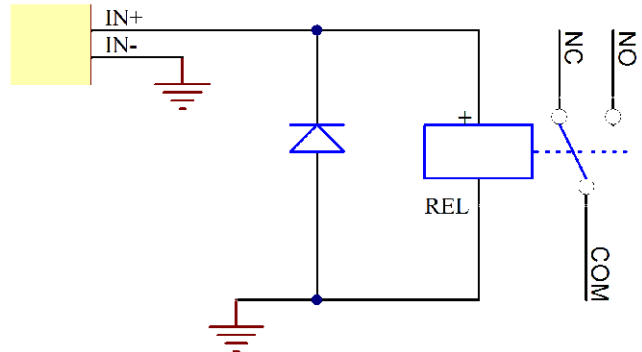


CODE: **AWZ 622** v1.0/III
NAME: **P1 Relay module**

EN



DESCRIPTION

The P1 (AWZ622) relay module is to be used in low-voltage installations. It is intended for controlling and status indication in e.g. alarm or access control systems. It may be used to control devices of high power consumption via OC outputs of alarm systems. Moreover, it ensures galvanic isolation of signals, power sources relating to the outputs of the module.

SPECIFICATIONS

| | |
|--|--|
| Supply voltage module | 12 V (10 V DC ÷ 14 V DC) |
| Current consumption | 20 mA max. |
| Number of relays | 1 |
| Voltage of the relay's contacts | 30 V DC / 48 V AC |
| Current of the relay's contacts | 1 A max. |
| Operating temperature | -10°C ÷ +50°C |
| Dimensions | L=30, W=27, H=18 [mm, +/-2] |
| Net/gross weight | 0,02 / 0,03 [kg] |
| Installation | Installation tape |
| Declarations, warranty | CE, 2 years from production date |
| Notes | leads on connections: Ø 0,41 ÷ 1,63 (AWG 26-14), (AWG 26-14), 0,2 ÷ 1mm ² |