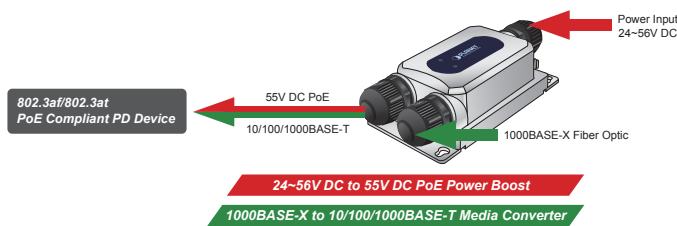


Industrial IP67 1000BASE-X SFP to 10/100/1000BASE-T 802.3at PoE+ Media Converter



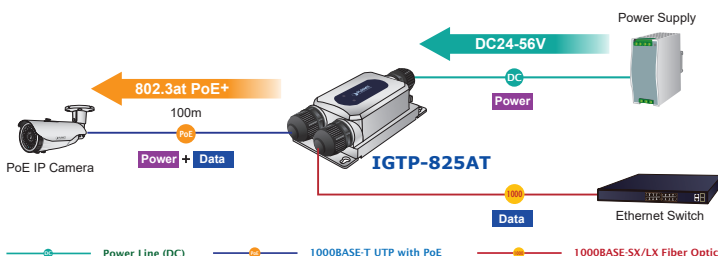
Designed to Operate under Wide Temperature Range

PLANET IGTP-825AT is the industrial-grade Gigabit PoE+ Media Converter, featuring one **1000BASE-X SFP** fiber port and one **10/100/1000BASE-T 802.3at PoE+ copper** port in an **IP67** rugged but compact-size case. Being able to operate under the temperature ranging from -40 to 75 degrees C, the IGTP-825AT provides reliable, stable and continuous long-range data transmission and can be installed in any harsh environment without taking space into consideration.



Backward Compatibility Saves Deployment Costs

The IGTP-825AT can deliver up to 30-watt 55V DC power over Cat.5/5e/6 Ethernet cables, doubling that of the earlier 802.3af. It is also backward compatible with 802.3af PoE standards to allow users to flexibly deploy standard and high powered devices simultaneously with no need for software configuration. With data and Power over Ethernet from one unit, the IGTP-825AT can reduce cable deployment and eliminate the need for dedicated electrical outlets on the wall, ceiling or any unreachable place.



Physical Port

- **One 10/100/1000BASE-T** with IEEE 802.3at PoE+ Gigabit RJ45 port
 - Data + Power output
- **One 1000BASE-X SFP interface**
 - Data input
- One 2-pin terminal block for power input. (Power Range: 24 ~ 56V DC)

Power over Ethernet

- 1-port data + power output
 - Complies with IEEE 802.3at Power over Ethernet plus PSE
 - Compatible with IEEE 802.3at/802.3af powered devices
 - Supports total PoE budget up to **30 watts** for PoE output port
 - Provides **DC 55V** power over RJ45 Ethernet cable to device with Ethernet port
 - Auto detects IEEE 802.3at/af equipment and protects devices from being damaged by incorrect installation
 - Remote power feeding up to 100m
 - Auto detects powered device (PD)

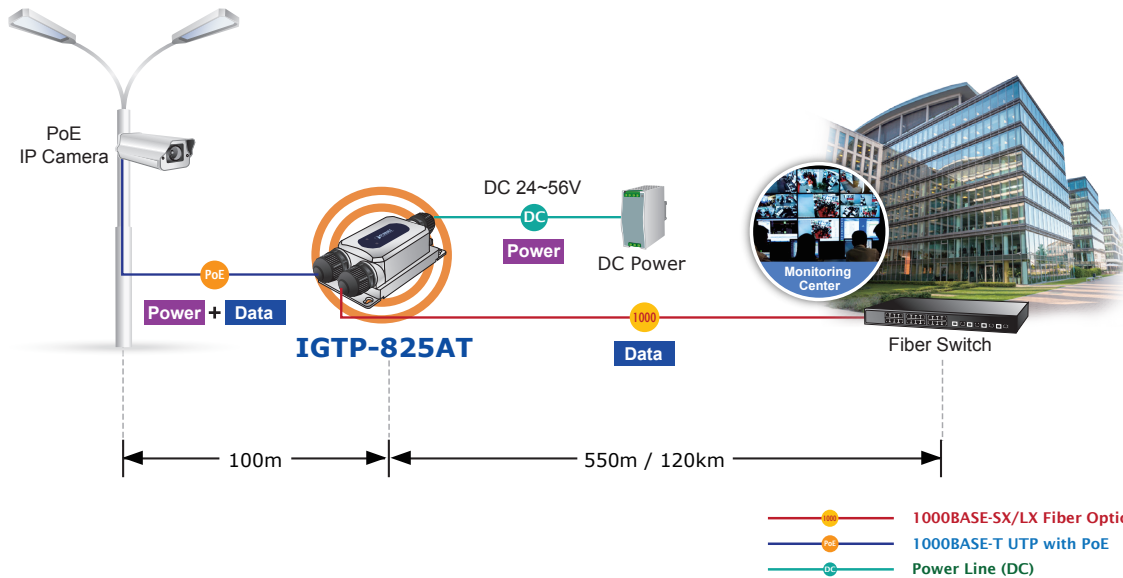
Industrial Case and Installation

- IP67-rated and IK-10 rated aluminum case
- Wall-mount design
- Supports 6KV DC Ethernet ESD protection
- -40 to 75 degrees C operating temperature
- Plug and Play installation

Fiber-optic Link Capability Extends Network Deployment Distance

The maximum distance between a PoE PSE (power sourcing equipment) and a PD via Ethernet UTP cable is 100 meters. To flexibly extend the PoE deployment range, the IGTP-825AT's SFP slot, supporting a 1000BASE-X SFP module, can extend the distance from 550m to 120km.

The SFP module (transceiver) is hot-pluggable and hot-swappable. You can plug in and out the transceiver to/from any SFP port without having to power down the Industrial 802.3at PoE+ Media Converter.

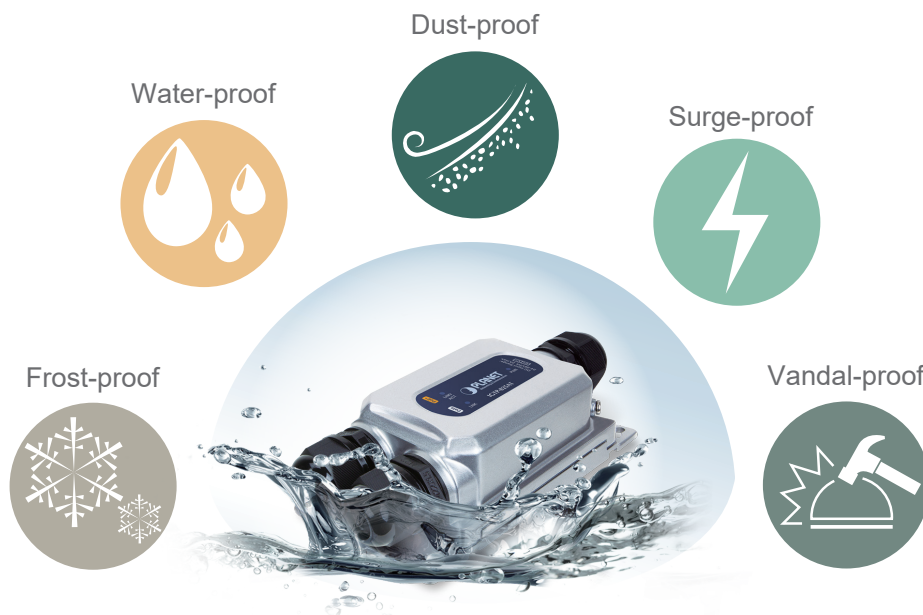


Weather-proof RJ45 Ethernet Connector and Shielded Plug

The IGTP-825AT is ideal for installing an extended range of outdoor PoE devices such as outdoor PoE wireless access points, outdoor PoE IP cameras, outdoor PoE IP intercoms and many more. The IGTP-825AT is equipped with 3 waterproof cable glands for direct-attach applications. Assembled with a waterproof cable gland, it can make the general connector weather-proof and provides a tight and strong connection. Moreover, it comes with the industrial protection rating of IP67 capable of withstanding humidity, dirt, dust, shock, vibrations, heat and cold.

Environmentally-hardened Design

With an industrial-level IP67-rated aluminum case, the IGTP-825AT provides a high level of immunity against electromagnetic interference and wide-ranging temperature capability, and can protect itself from dust and water ingress. All these features ensure the highest level of reliability for mission-critical applications in any difficult environment.



Environmental Adaptations in Outdoor Area

Fluctuation Protection

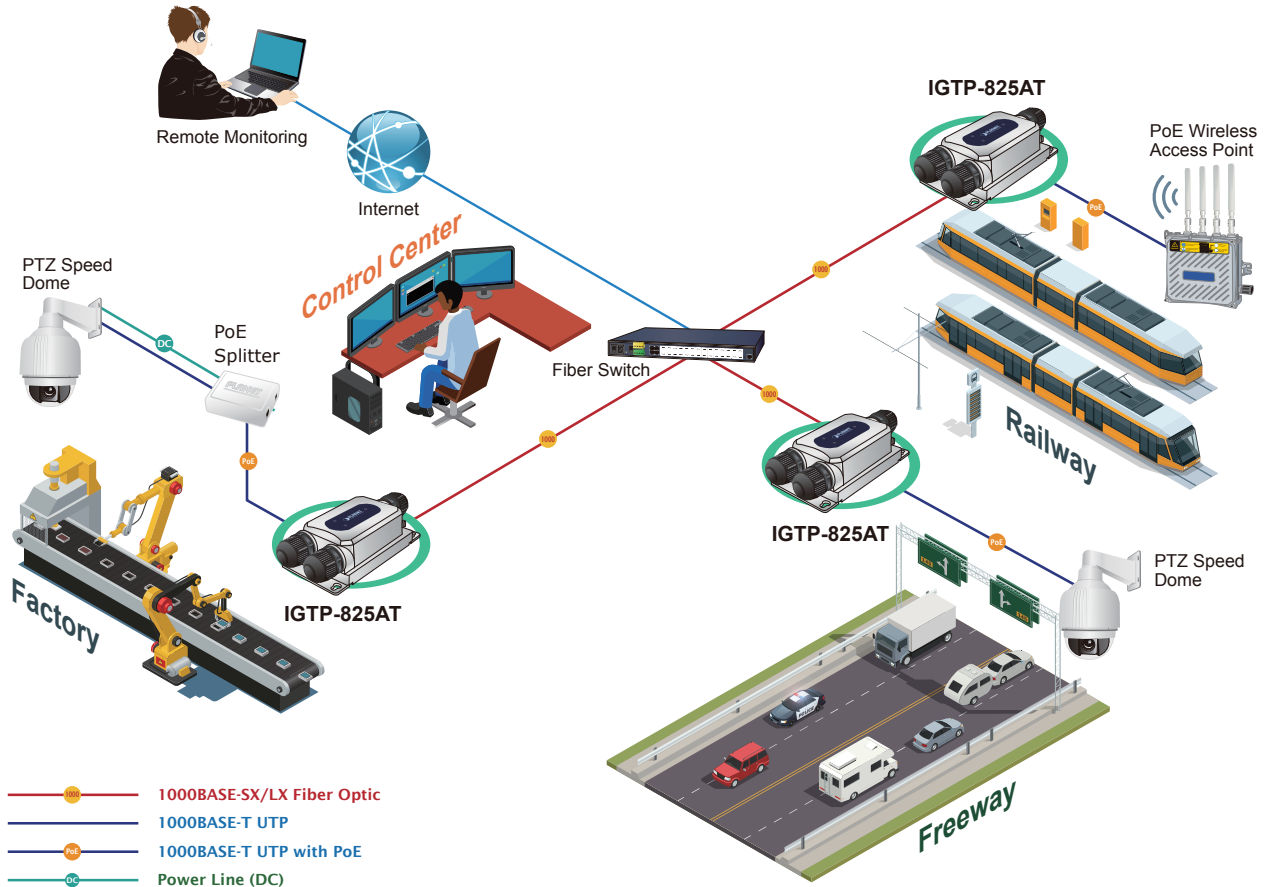
The IGTP-825AT provides $\pm 8\text{KV}$ DC for Ethernet ESD protection and $\pm 6\text{KV}$ surge immunity to improve product stability and thus protects networks from power fluctuation.

Applications

Flexible and User-friendly PoE Deployment with Gigabit Fiber Extension

For the places difficult to find the power outlet, the IGTP-825AT provides the easiest way to power network equipment such as PTZ (pan, tilt & zoom) IP cameras, speed dome IP cameras, color touch-screen VoIP telephones, multi-channel (IEEE 802.11a/b/g/n/ac) wireless LAN access points and other network devices that need a higher power to function normally.

With the IGTP-825AT, users can flexibly install security IP cameras, wireless access points and other IEEE 802.3af/at compliant network equipment in public areas such as stations, freeways, airports and campuses for surveillance and wireless roaming needs.

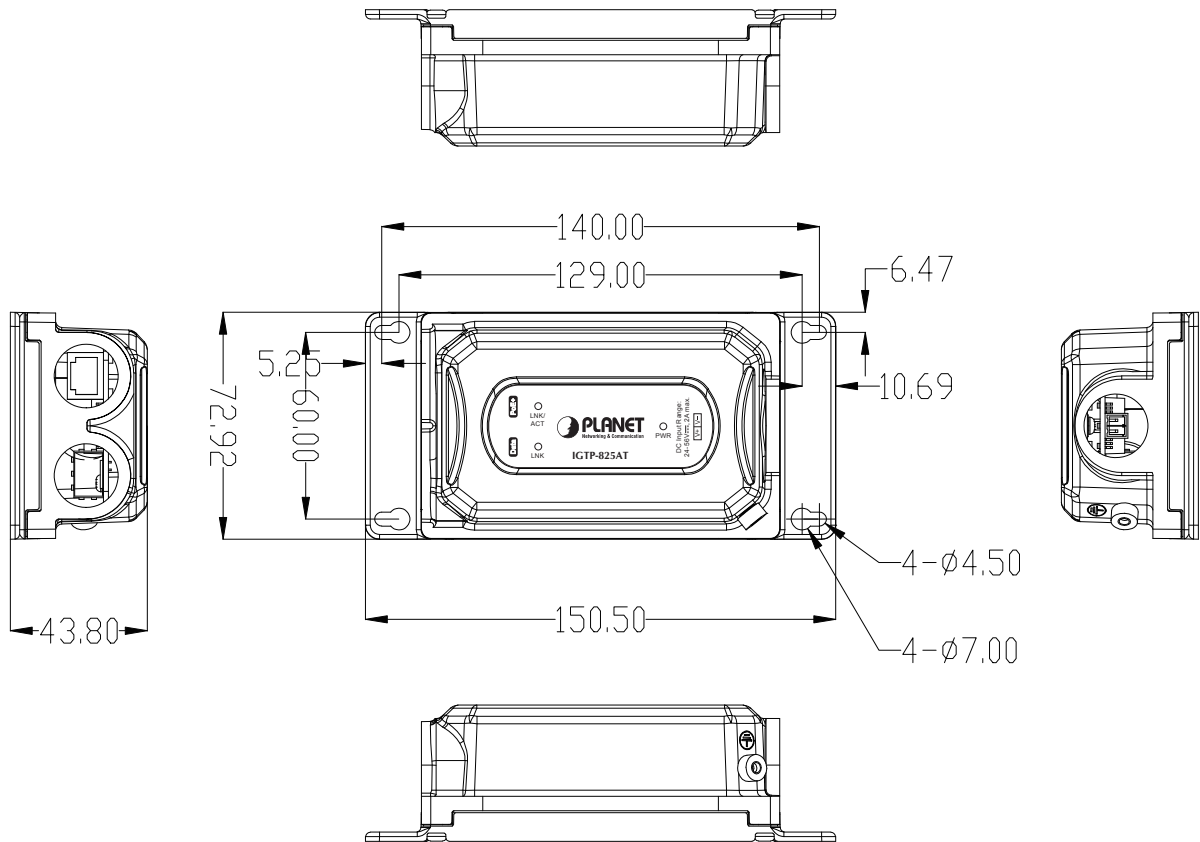


Product Specifications

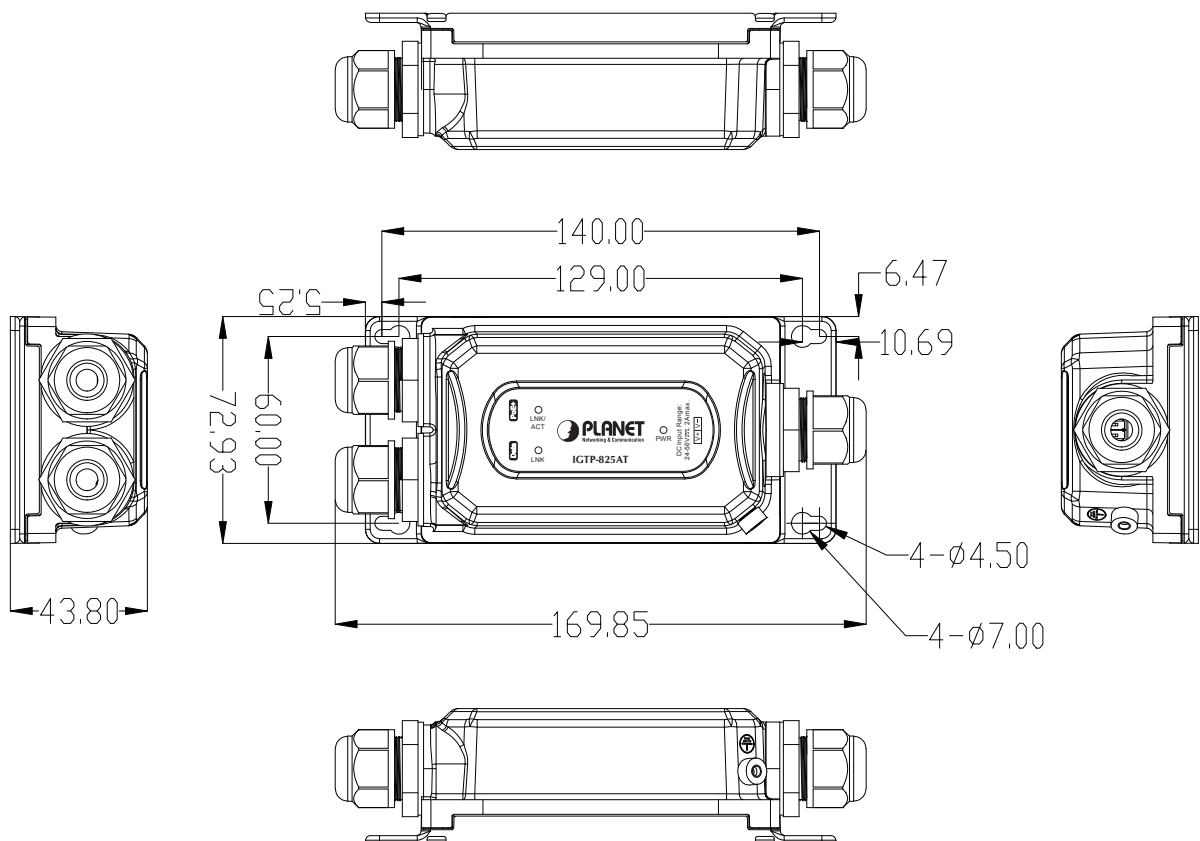
Product		IGTP-825AT		
Hardware Specifications				
Interface	Input Port (SFP Slot)	1 x 1000BASE-SX/LX/BX “Data” in SFP port		
	Output Port	1 x 10/100/1000BASE-T Ethernet with IEEE 802.3at PoE+ “Data + DC” out RJ45 port - Auto MDI/MDI-X, auto-negotiation RJ45 connector		
	Input Power Terminal Block	1 x 2-pin terminal block - Pin 1/2 for Power (Pin 1: V+ / Pin 2: V-)		
Cables	10BASE-T: UTP category 3, 5 cable (≤100m) 100BASE-TX: UTP category 5,5e cable (≤100m) 1000BASE-T: UTP category 5e,6 cable(≤100m) 1000BASE-SX/LX: - Multi-mode: 50/125µm or 62.5/125µm optical fiber - Single-mode: 9/125µm optical fiber			
LED	PWR (Green) TP 10/100/1000BASE-T: LNK/ACT (Green) Fiber 1000BASE-X: LNK (Green)			
Input Voltage	24~56V DC			
PowConsumption	Voltage	System on	Full Load (Max.)	
	DC 24V	1.2W	43.2W	
	DC 36V	1.44W	41.7W	
	DC 54V	1.62W	41.5W	
ESD Protection	Air 8KV DC Contact 6KV DC			
Surge Protection	6KV			
Enclosure	IP67-rated and IK10 aluminum metal case			
Installation	Wall-mount ear			
Dimensions (W x D x H)	150 x 43.8 x 72.94 mm			
	169.85 x 43.8 x 72.94 mm, with cable gland			
Weight	389g			
MTBF	>100000 hours			
Power over Ethernet				
PoE Standard	IEEE 802.3at Power over Ethernet Plus / End-span PSE Backward compatible with IEEE 802.3af Power over Ethernet			
PoE Power Output	55V DC, max. 30 watts			
PoE Power Supply Type	End-span			
Power Pin Assignment	1/2(+), 3/6(-)			
PoE Power Budget	30 watts (max.) @ IEEE 802.3at PoE+ input			
Standards Conformance				
Regulatory Compliance	FCC Part 15 Class A, CE			
Protocols and Standards Compliance	IEEE 802.3 Ethernet			
	IEEE 802.3u Fast Ethernet			
	IEEE 802.3ab Gigabit Ethernet			
	IEEE 802.3z Gigabit Ethernet over Fiber Optic			
	IEEE 802.3x Flow Control			
	IEEE 802.3af Power over Ethernet			
	IEEE 802.3at Power over Ethernet Plus			
Stability Testing	IEC60068-2-32 (free fall)			
	IEC60068-2-27 (shock)			
	IEC60068-2-6 (vibration)			
Environment				
Temperature	Operating: -40~75 degrees C			
	Storage: -40~85 degrees C			
Humidity	Operating: 5~90% (non-condensing)			
	Storage: 5~90% (non-condensing)			

Dimensions

- IGTP-825AT without waterproof cable glands



- IGTP-825AT with waterproof cable glands



Ordering Information

IGTP-825AT	Industrial IP67 1000BASE-X SFP to 10/100/1000BASE-T 802.3at PoE+ Media Converter
------------	--

Related Products

IGTP-805AT	100/1000BASE-X to 10/100/1000BASE-T 802.3at PoE+ Industrial Media Converter (mini-GBIC, SFP)
IGTP-802T	1000BASE-SX to 10/100/1000BASE-T 802.3at PoE+ Industrial Media Converter (SC,MM) -- 550m
IGTP-802TS	1000BASE-LX to 10/100/1000BASE-T 802.3at PoE+ Industrial Media Converter (SC,SM) -- 10km
IGTP-815AT	Industrial Compact 100/1000BASE-X to 10/100/1000BASE-T 802.3at PoE+ Media Converter
GTP-805A	100/1000BASE-X to 10/100/1000BASE-T 802.3at PoE Media Converter (mini-GBIC, SFP)
MGB-Series Transceiver	1000BASE-SX/LX SFP Transceiver

Available 1000Mbps Modules

MGB-SX	SFP-Port 1000BASE-SX mini-GBIC module - 550m
MGB-SX2	SFP-Port 1000BASE-SX mini-GBIC module - 2km
MGB-LX	SFP-Port 1000BASE-LX mini-GBIC module - 20km
MGB-L40	SFP-Port 1000BASE-LX mini-GBIC module - 30km
MGB-L80	SFP-Port 1000BASE-LX mini-GBIC module - 70km
MGB-L120	SFP-Port 1000BASE-LX mini-GBIC module - 120km
MGB-LA10	SFP-Port 1000BASE-LX (WDM,TX:1310nm) mini-GBIC module - 10km
MGB-LB10	SFP-Port 1000BASE-LX (WDM,TX:1550nm) mini-GBIC module - 10km
MGB-LA20	SFP-Port 1000BASE-LX (WDM,TX:1310nm) mini-GBIC module - 20km
MGB-LB20	SFP-Port 1000BASE-LX (WDM,TX:1550nm) mini-GBIC module - 20km
MGB-LA40	SFP-Port 1000BASE-LX (WDM,TX:1310nm) mini-GBIC module - 40km
MGB-LB40	SFP-Port 1000BASE-LX (WDM,TX:1550nm) mini-GBIC module - 40km
MGB-TSX	SFP-Port 1000BASE-SX mini-GBIC module - 550m (-40 ~ 75 degrees C)
MGB-TSX2	SFP-Port 1000BASE-SX mini-GBIC module - 2km (-40 ~ 75 degrees C)
MGB-TLX	SFP-Port 1000BASE-LX mini-GBIC module - 20km (-40 ~ 75 degrees C)
MGB-TL40	SFP-Port 1000BASE-LX mini-GBIC module - 30km (-40 ~ 75 degrees C)
MGB-TL80	SFP-Port 1000BASE-LX mini-GBIC module - 70km (-40 ~ 75 degrees C)