



CloudSwitch MGPlus 8

Cloud Managed 8-Port Multi-Gigabit 2.5 Gb Switch with 4 x SFP+ Uplink Ports

Overview

EnGenius Cloud Managed Layer 2+ Multi-Gigabit 2.5Gb Switch, ECS2512, provides SMBs with an easy-to-use and cost-effective network solution. With its 8-Port 2.5G and 4-Port 10G SFP+ uplink, it ensures high-speed data transfer for bandwidth-intensive applications. With zero-touch provisioning and centralized cloud management, it simplifies network management and saves time.



Features & Benefits

- 8 x 2.5G Ports to unleash elevated speeds for NAS, workstations or WiFi 6 APs
- 4 x 10G SFP+ (fiber) uplink ports to high-speed NAS and servers for a high-performance network
- Zero touch provisioning, centralized cloud management and visualized monitoring
- Hybrid cloud switch supports flexible management options such as EnGenius Cloud or standalone
- Robust security that supports Port based / MAC based ACL Storm control, DHCP Snooping, DOS Attack Prevention, 802.1X & RADIUS Authentication and more
- Optimized for quality voice and video traffic with Voice-VLAN feature

Technical Specifications

Technical Specifications

Port Standards

802.3u 100Base-TX Ethernet

802.3ab 1000Base-T Ethernet

802.3bz 2.5G/5GBase-T Ethernet

802.3x Full-Duplex Flow Control

Network Port - Multi-Gigabit Ethernet Ports

8x100/1000/2500 Mbps Ports

Network Port - SFP+ Ports

4x SFP+ Ports

Switching Capacity

120Gbps

SDRAM

512MB

Flash Memory

128MB

Power Source

100 to 240 VAC, 50/60Hz

Physical Interface

System Indicators

Power LED

Fault LED

Port Indicators

Link/Activity/Speed (per Ethernet port)

Link/Activity/Speed (per SFP slot)

L3 Software Features

Multiple IP Interface

20 IPv6 address

ARP Table

Max. 192 ARP entries

Static ARP

Static 192 ARP entries

IPv4 Static Route

Max. 63 entries

IPv6 Static Route

Max. 21 entries

L2 Software Features

Network Management

EnGenius Cloud

Local Web GUI

MAC Address Table

16k

Jumbo frame size

10K

Multicast Group

Max 256 groups

MLD Snooping

MLD Snooping: v1

QoS-number of Priority Queues Supported

Queue 8

QoS Trust Mode

Cos/802.1p

DSCP

CoS/802.1p-DSCP

Scheduling Mechanism

Strict / WRR/ Strict + WRR

Bandwidth Control

Port-based bandwidth control (Ingress/Egress)

Port Security

Max. 256 Entries

Access Control List (ACL)

MAC Based ACL

IPv4/IPv6 Based ACL

ACL Binding

Time base ACL

Web Graphical User Interface (GUI)

HTTP IPv4 / IPv6

HTTPS IPv4 / IPv6

SSL Certificate

Certificate/Key Import

SNMP

SNMP v1/v2c/v3 Support

RMON

RMON 1,2,3,9

System Time

Time Setting/Daylight saving

Common L2 Features

802.1D Spanning Tree

802.1w Rapid Spanning Tree

802.1S Rapid Spanning Tree

Loopback Detection

Multicast Filtering

IGMP Multicast Forwarding

IGMP Snooping

MLD Multicast Forwarding

802.1Q VLAN tagging

Technical Specifications

802.3x flow control
802.3ad Link Aggregation
IPv4 DHCP Relay
IPv4 DHCP Snooping
IPv4 DHCP Snooping Source MAC Address Check-up
ARP Inspection
ARP Packet Validation (additional validation checks)
Voice VLAN
Port-based VLAN
Protocol-Based VLAN
CoS Mapping
802.1X Radius Authentication Protocol
IPv4 Settings/ IPv6 Settings
IEEE 802.3az Energy Efficient Ethernet (EEE)
Command Line Interface (CLI)
SSH Server
Telnet Server
TFTP Client
Configuration Upgrade/ Backup
Simple Network Time Protocol (SNTP)
SYSLOG

Environmental & Physical

Temperature Range

Operating: 32°F to 122°F (0°C to 50°C)

Humidity (Non-Condensing)

Operating: 5% - 95%

Device Dimensions & Weight

Device Dimensions & Weights

Weight: 2.6 kg

Width: 230 mm

Depth: 330 mm

Height: 44 mm

Package Contents

1x Cloud Managed Gigabit Switch

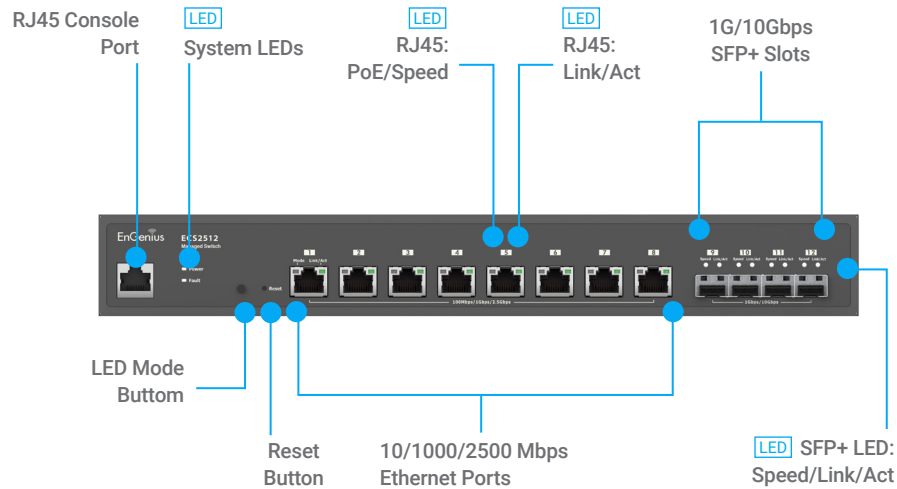
1x Product Card

1x Power Cord

1x RJ45 Console Cable

1x Rack Mount Kit

Hardware Overviews



EnGenius Technologies | Costa Mesa, California, USA

Email: support@engeniustech.com
Website: www.engeniustech.com
Local contact: (+1) 714 432 8668

EnGenius Networks Singapore Pte Ltd. | Singapore

Email: techsupport@engeniustech.com.sg
Website: www.engeniustech.com.sg
Local contact: (+65) 6227 1088

EnGenius Technologies Canada | Ontario, Canada

Email: support@engeniustech.com
Website: www.engeniustech.com
Local contact: (+1) 905 940 8181

EnGenius Networks Dubai | Dubai, UAE

Email: support@engeniustech.com
Website: www.engeniustech.com
Local contact: (+971) 4 339 1227

EnGenius Networks Europe B.V. | Eindhoven, Netherlands

Email: support@engeniustech.com
Website: www.engeniustech.com
Local contact: (+31) 40 8200 887

恩碩科技股份有限公司 | Taiwan, R.O.C.

Email: sales@engeniustech.com.tw
Website: www.engeniustech.com.tw
Local contact: (+886) 933 250 628

Features and specifications subject to change without notice. Trademarks and registered trademarks are the property of their respective owners. These limits are designed to provide reasonable protection against harmful interference in a residential installation. This equipment generates, uses, and can radiate radio frequency energy and, if not installed and used in accordance with the instructions, may cause harmful interference to radio communications. Operation of this equipment in a residential area is likely to cause harmful interference in which case the user will be required to correct the interference at his/her own expense. Prior to installing any surveillance equipment, it is your responsibility to ensure the installation is in compliance with local, state and federal video and audio surveillance and privacy laws.
Version 1.0 08142023

