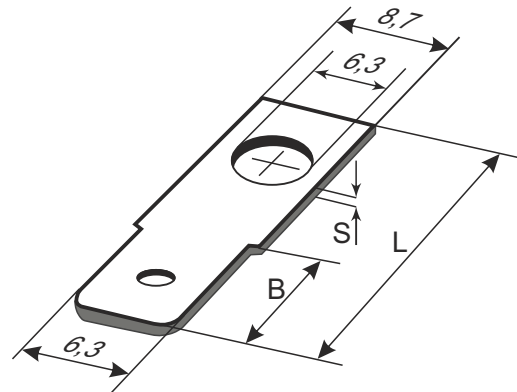
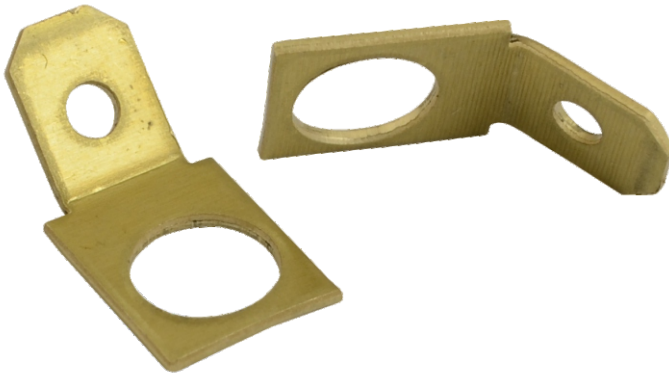


CODE: **ML062** v.1.0/1
 NAME: **Angle muff 6,3/KK45-0,8-5,1**

EN



DESTINATION

Angle muff for batteries.

TECHNICAL DATA

Installation:	- hole: 6.3 mm - connector F 6.3 mm (6.3/J2.5)
Material:	brass
Colour:	natural
Dimensions:	A/B/C/L/S [mm. +/-0,2] -- / -- / 5,1 / 18,3 / 0,8