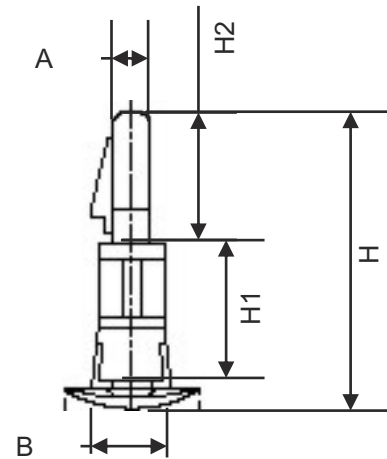


CODE: **MM051** v.1.0/1
 NAME: **Mounting pin Ø4 – RLCBSR-6-01**

EN



TECHNICAL DATA

Installation:

- into plate hole 3,2 mm
- into metal sheet hole 4,8 mm
- material thickness 0,7-1,6 mm

Material: nylon 66

Colour: natural

Dimensions: H/H1/H2/A/B [mm. +/-0,2]
 - 21,0 / 7,9 / 8,7 / 3,1 / 4,6