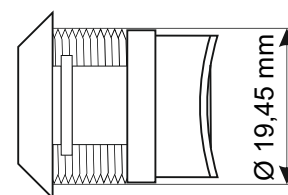
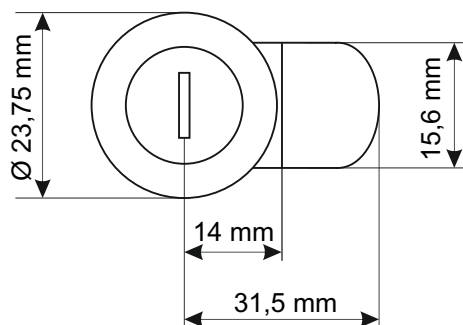
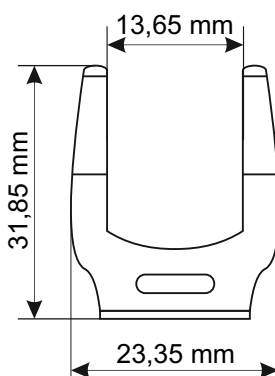
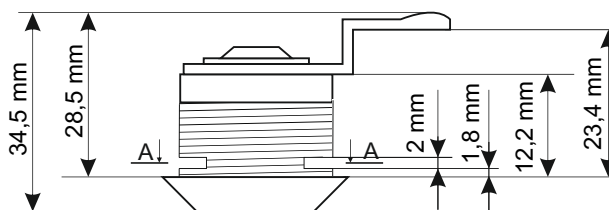
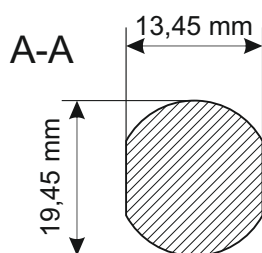


CODE: **MR008** v.1.0/III
NAME: **Lock, type 802 – various code**

EN



DESTINATION

Lock for casings.

- Notes:**
- lock with various code - type 802
 - a set contains two keys
 - compatible with enclosures for SSWiN