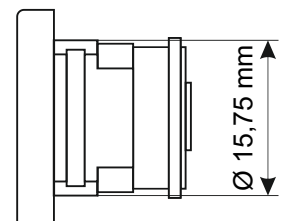
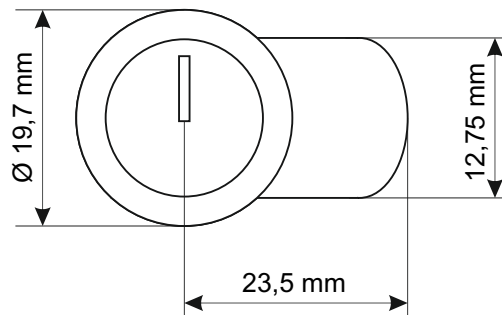
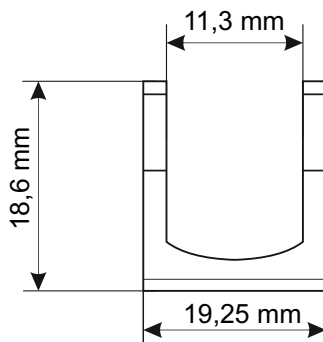
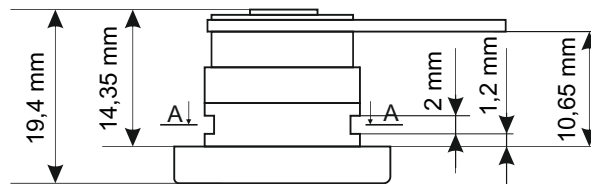
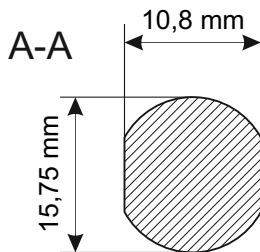


CODE: **MR045** v.1.0/III
NAME: **Lock, type B254 – repeatable code**

EN



DESTINATION

Lock for casings.

TECHNICAL DATA

Notes: - lock with repeatable code - type B254
- a set contains two keys

