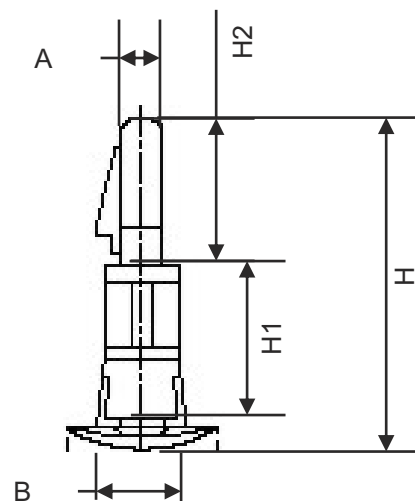


CODE: **PW100** v.1.0/1
 NAME: **Mounting pin Ø6**

EN



TECHNICAL DATA

Installation:

- into plate hole 4,0 mm
- into metal sheet hole 6,0 mm
- material thickness 0,7-1,6 mm

Material: polyamide 66

Colour: natural

Dimensions: H/H1/H2/A/B [mm. +/-0,2]
 - 21,0 / 8,1 / 11,0 / 4,0 / 5,8