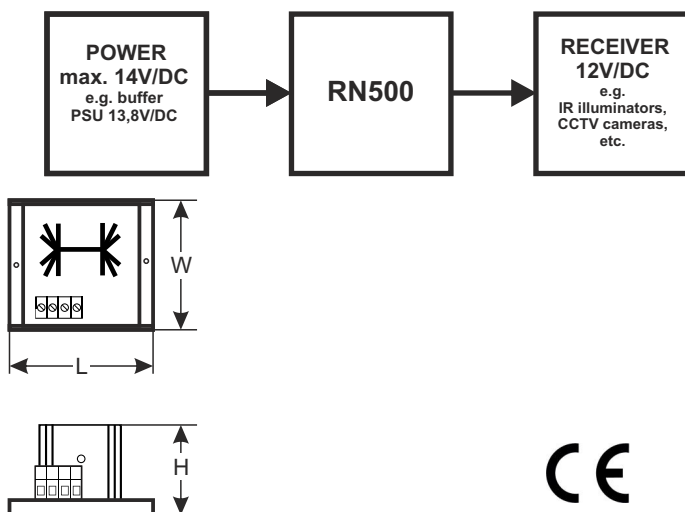
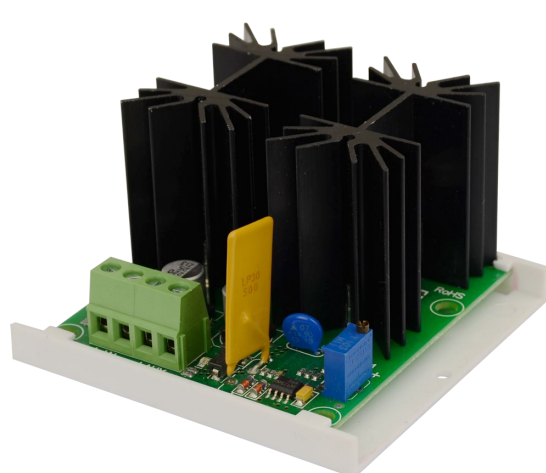


CODE: **RN 500** v.1.0/VI  
NAME: **RN 12V/5A DC voltage reducer**

EN



### Features:

- supply voltage of 14V DC max.
- power output 12V DC/5A
- output voltage adjustment range 11V±U<sub>in</sub>
- linear voltage regulation
- lossless conductivity below stabilisation threshold
- LED indication
- protections:
  - SCP short circuit protection
  - OLP overload protection
- warranty – 2 years from the production date

### DESCRIPTION

The **RN 12V/5A (RN500)** is intended for lowering and stabilising DC voltage within the range of 12÷14V into the value of 12V (adjustment 11V±U<sub>in</sub> DC). In the case when the output voltage drops below the preset output value, the transistor opens and the reducer conducts without any loss (voltage drop ΔU<1%). That enables full use of energy accumulated in the PSU's battery during batter-assisted operation.

The **RN500** voltage reducer along with a typical buffer PSU is intended for supplying devices that require voltage of 10V÷12 V DC. It is particularly dedicated for CCTV systems (cameras, IR illuminators), KD access control systems and others which feature devices supplied with voltage of 12V DC (-10%/+5%) and cannot be powered directly from the 13,8V DC output of a buffer PSU.

### SPECIFICATIONS

<b>Supply voltage</b>	max. 14V/DC (-/+5%)
<b>Output voltage</b>	< 12V DC nom. (+/- 0,3V)
<b>Output voltage adjustment range</b>	11V±U <sub>in</sub> (preset 12V DC)
<b>Power of the receiver</b>	60W max.
<b>Output current</b>	5A max.
<b>Current drawn by the module's systems</b>	5 mA max.
<b>Protection against a short circuit (SCP) and an overload (OLP)</b>	110% ÷ 150% of reducer's power – current limiting by the PTC resettable fuse, manual restart
<b>LED indication</b> - IN diode indicating DC power status - AUX diode indicating DC power status at the module's output	- red - green
<b>Operating conditions</b>	II environmental class, -10°C ÷ +40°C
<b>Dimensions</b>	L=76, W=70, H=45 [+/- 2mm]
<b>Fixing</b>	A mounting panel with an adhesive tape, dowel pins x 4 (PCB fi=4,2 mm)
<b>Connectors</b>	screw connectors Ø0,41÷1,63 (AWG 26-14)
<b>Net/gross weight</b>	0,10kg/0,14kg
<b>Declarations, warranty</b>	CE, 2 years from the production date