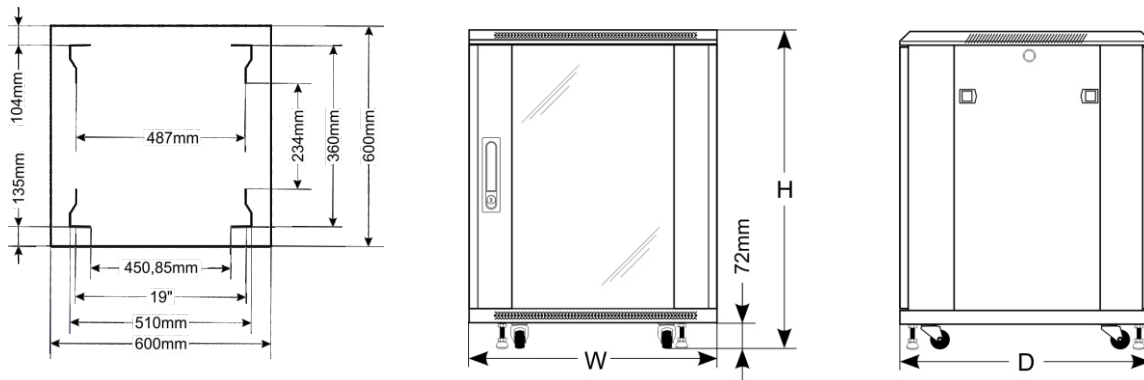


CODE: **RS1566** v1.0/1 EN  
 NAME: **15U RACK cabinet, floor standing, ready-to-assemble 600x600**



## INTENDED USE

The RACK 19" cabinet enables integrating CCTV, AC, I&HAS, RTV, LAN, or other systems in medium and big companies. It is intended for devices manufactured in enclosures of the 19" standard. Due to the RACK cabinets, the devices are aesthetically mounted and protected against mechanical damage.

## SPECIFICATIONS

<b>Mounting dimensions:</b>	W=19", H=15U, D=360mm
<b>External dimensions:</b>	W=600, H=855, D=600 [mm, +/-2]
<b>Net/gross weight:</b>	43 / 47 [kg]
<b>Materials:</b>	<ul style="list-style-type: none"> <li>- RACK mounting rails: cold-rolled steel SPCC 2mm - bolted</li> <li>- horizontal mounting rails: cold-rolled steel SPCC 1,5mm - bolted</li> <li>- frame: cold-rolled steel SPCC 1,2mm RAL 9004 - welded</li> <li>- front door: 5mm toughened glass / SPCC 1,2mm RAL 9004 - hinged</li> <li>- side panel: cold-rolled steel SPCC 1,2mm RAL 9004 - removable</li> <li>- rear door: cold-rolled steel SPCC 1,2mm RAL 9004 - hinged</li> </ul>
<b>Static load:</b>	1000 kg (with leveling feet)
<b>Use:</b>	inside, IP20
<b>Notes:</b>	<ul style="list-style-type: none"> <li>- adjustable distance between front and rear RACK rails</li> <li>- ventilation holes in the front door, top and bottom panel</li> <li>- possible mounting of a fan unit in the top panels - RAWP (max. 2 pcs.)</li> <li>- cable ducts in the top and bottom panel</li> <li>- 4 casters without locks and 4 leveling feet included</li> <li>- possible assembly of a 100mm high plinth - RAC166M</li> <li>- lockable front door (2 keys in set)</li> <li>- lockable rear door (2 keys in set)</li> <li>- side panel - lock assembly possible - RAZB16</li> <li>- <b>ready-to-assemble</b></li> </ul>
<b>Declarations, warranty:</b>	RoHS, 12 months from the date of purchase