



Key Features

- Hot pluggable LC Duplex connector
- IEEE 802.3z compliant
- Industry standard compliance
- Low power dissipation
- Class 1 laser product, complies with International Safety Standard IEC 825
- ROHS Compliant

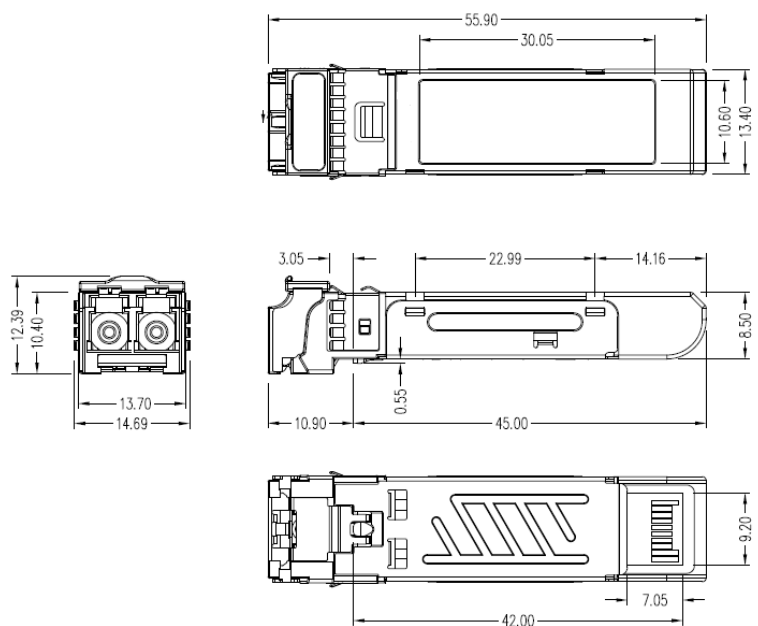
Gigabit Ethernet SFP Transceiver Modules

Reliable, high-performance SFP transceiver modules for Gigabit Ethernet applications

EnGenius Small Form-Factor Pluggable (SFP) transceiver is an industry standard hot-swappable device that plugs into the SFP port or slot and links the port with the network.

	SFP2185-05	SFP2213-10
Connector Type	LC	LC
Data Rate	1.25Gbps	1.25Gbps
Wavelength	850nm	1310nm
Fiber Type	MMF	SMF
Max Transmission Distance	0.5km	10km
Transmitter Characteristics		
Supply Voltage	3.15 ~ 3.45V	3.15 ~ 3.45V
Supply Current	160mA	160mA
Output Optical Power	-10 ~ -3dBm	-9 ~ -2dBm
Receiver Characteristics		
Supply Voltage	3.15 ~ 3.45V	3.15 ~ 3.45V
Supply Current	100mA	100mA
Maximum Receiver Power	-3dBm	-3dBm
Optical Receiver Sensitivity	-18dBm	-20dBm
Physical Specifications		
Dimensions (WxDxH)	13.72 x 56.64 x 12.43mm	
Weight	25g	
Environmental Limits		
Operating Temperature	0°C to 70°C (32°F to 158°F)	
Storage Temperature	-40°C to 85°C (-40°F to 185°F)	

Dimensions



Unit: mm

Ordering Information

Product No.	Product Description
SFP Transceivers	
SFP2185-05	1000BASE-SX SFP Transceiver, 850nm, 0.5km
SFP2213-10	1000BASE-LX SFP Transceiver, 1310nm, 10km
PoE Smart Switch	
EGS2110P	8-Port Gigabit PoE Smart Switch with 2 Gigabit SFP, 61.6w
EGS5110P	8-Port Gigabit PoE+ Smart Switch with 2 Gigabit SFP, 130w
PoE+ Layer 2 Managed Switch	
EGS5212FP	8-Port Gigabit PoE+ L2 Managed Switch with 2 GbE Ports and 2 Gigabit SFP; 130w
EGS7228P	24-Port Gigabit PoE+ L2 Managed Switch with 4 Dual-Speed SFP; 185w
EGS7228FP	24-Port Gigabit PoE+ L2 Managed Switch with 4 Dual-Speed SFP; 370w
EGS7252FP	48-Port Gigabit PoE+ L2 Managed Switch with 4 Dual-Speed SFP; 740w
Wireless Management Switch	
EWS5912FP	8-Port Gigabit PoE+ L2 Wireless Management Switch with 2 GbE Ports and 2 Dual-Speed SFP; 130w
EWS7928P	24-Port Gigabit PoE+ L2 Wireless Management Switch with 4 Dual-Speed SFP; 185w
EWS7928P	24-Port Gigabit PoE+ L2 Wireless Management Switch with 4 Dual-Speed SFP; 370w
EWS7952FP	48-Port Gigabit PoE+ L2 Wireless Management Switch with 4 Dual-Speed SFP; 740w